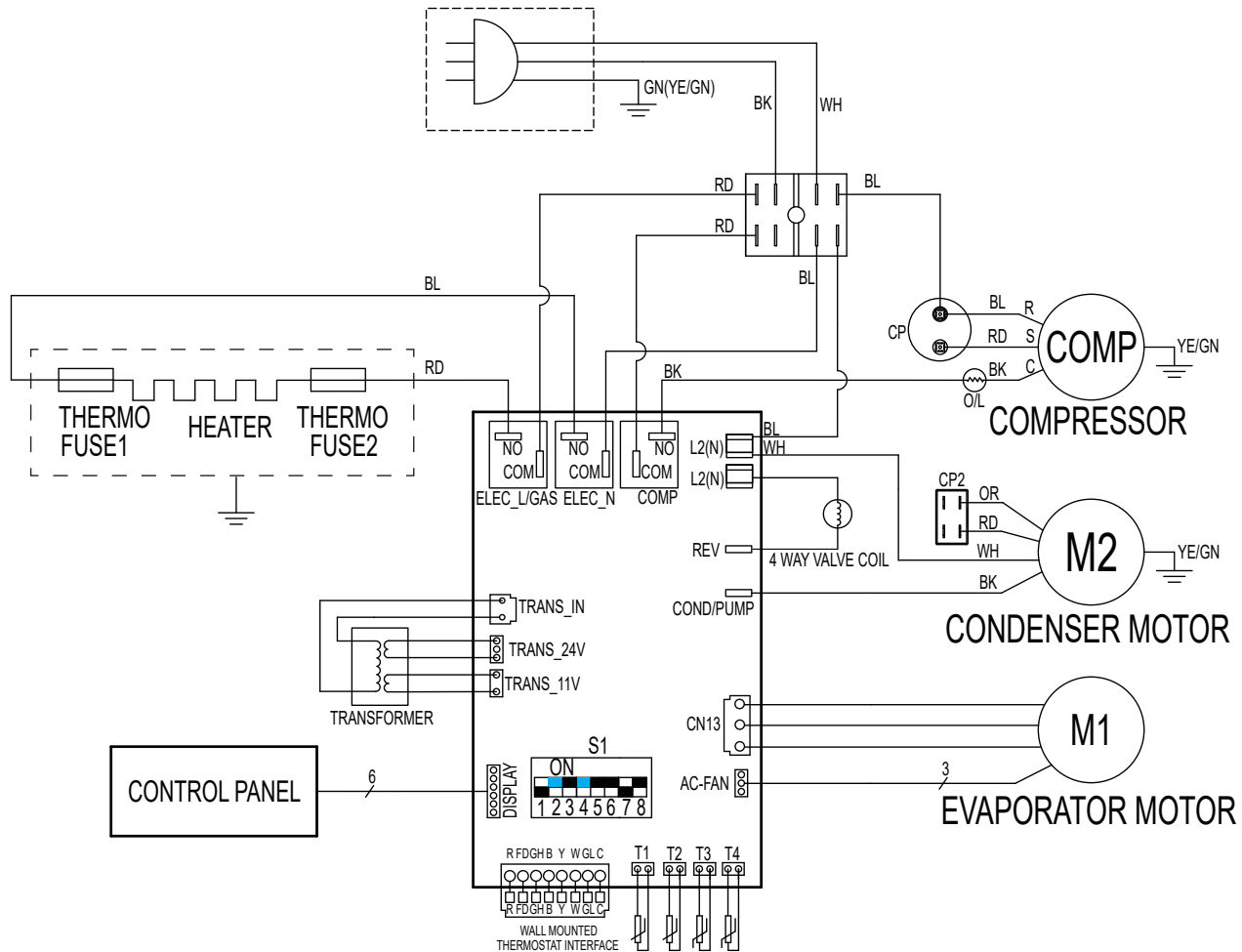


802022000095

# CIRCUIT DIAGRAM



SELECTOR SWITCH (ON:  OFF:  )

WIRE COLOR CODE

|      |                     |   |      |                        |   |  |           |
|------|---------------------|---|------|------------------------|---|--|-----------|
| S1.1 | Anti-cold air       | <input type="checkbox"/> Enable<br><input type="checkbox"/> Disable | S1.5 | Room Freeze Protection | <input type="checkbox"/> Enable<br><input type="checkbox"/> Disable | BL BLUE  | WH WHITE  |
| S1.2 | Heat Pump           | <input type="checkbox"/> Enable<br><input type="checkbox"/> Disable | S1.6 | Electric Memory        | <input type="checkbox"/> Enable<br><input type="checkbox"/> Disable | BR BROWN   | RD RED    |
| S1.3 | Electric Heat       | <input type="checkbox"/> Enable<br><input type="checkbox"/> Disable | S1.7 | Fan CYC. For Cooling   | <input type="checkbox"/> Enable<br><input type="checkbox"/> Disable | GN GREEN   | BK BLACK  |
| S1.4 | Heat Pump Prior     | <input type="checkbox"/> Only panel                                 | S1.8 | Low speed running      | <input type="checkbox"/>  | OR ORANGE  | YE YELLOW |
|      | Electric Heat Prior | <input type="checkbox"/> Enable                                     |      | High speed running     | <input type="checkbox"/>  | CP = COMPRESSOR CAPACITOR<br>CP1 = EVAPORATOR MOTOR CAPACITOR<br>CP2 = CONDENSER MOTOR CAPACITOR |           |

100

a